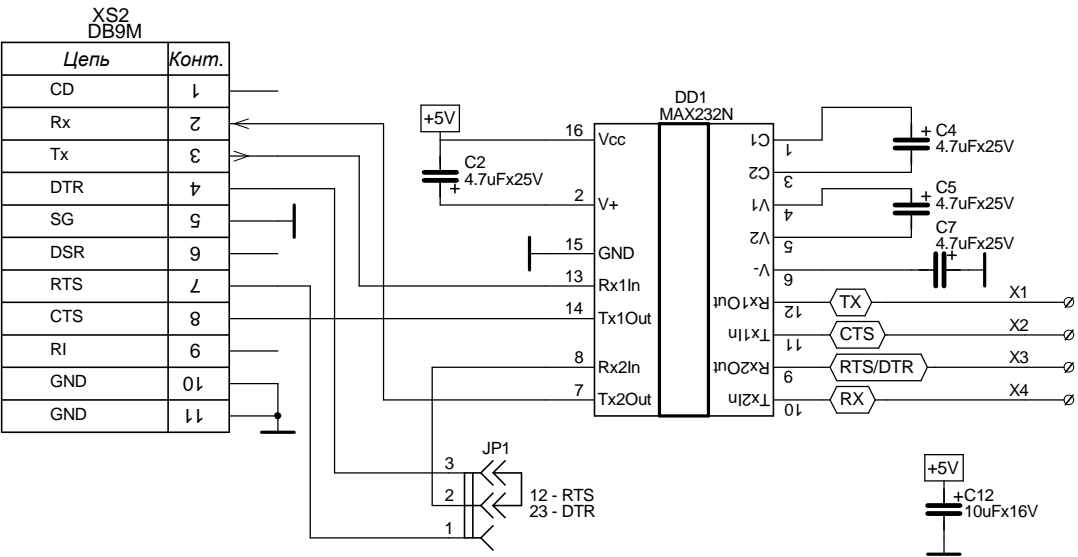


Конт.	Цепь
1	VPP
2	VDD
3	VSS
4	DATA
5	CLOCK
9	PGM



PIC-P40 PROTOTYPE BOARD